

INTELLIGENT TRANSPORTATION SOLUTION

Explore Transportation Solution for engaging with connected intelligent urban mobility that delivers safety, trust and security.

New Era of Transportation

Due to the booming urbanization and climate change of the world, the challenge for efficiency, sustainability, security, and innovative technology of cities have increased years by years. Digitalization of transportation helps reduce congestion and human error incidents that can lead to injury.

The good news is that innovations in Internet of Things (IoT), Artificial Intelligence (AI), 5G network connectivity, and edge to cloud computing are giving Avalue the ability to support the customer to improve transportation safety, efficiency, reliability, and profitability.



Essential Professional Capabilities



Wide Range of Product Series Selection



Domain Know-How in Transportation Market



Solution-Build Thinking

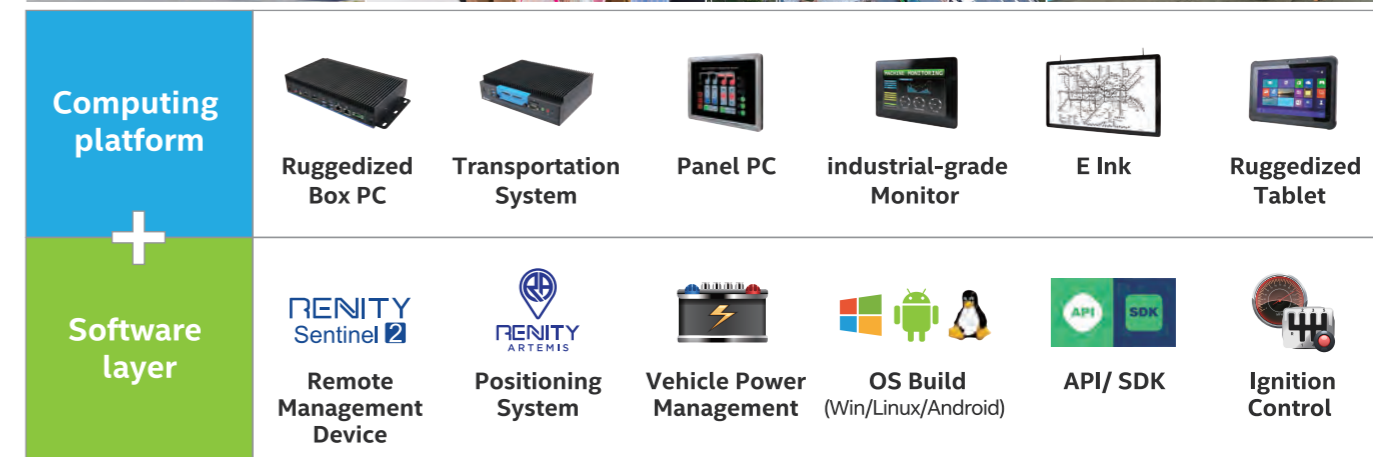


Dedicated Teams to Support



Win/ Linux/ Android OS Support

Transportation Product Highlights



How Avalue will shape transportation in smart cities?



We support our customers with innovative solutions in fields of public transport, first response, logistic and related infrastructure in a smart city. We also help our customers to achieve faster time-to-market within our ideal solutions, how to make this world smarter, at the same time, with the best quality, performance and support.

“ Our intelligent transportation solution, is to find out the pain-point from customers and solve it in a suitable, professional and efficient way. And we hope one day in the future, you will realize our ITS solution is all around you in your daily life. „

- Jason Liu
Director of Product Division



Public Service

- 01 **Terminal display wall**
• NUC-TGU
• ACS10-TGU
- 02 **Fare collection system & entrance management**
• EMS-EHL-10COM
- 03 **Roadside law enforcement**
• EMS-TGL-PSE
- 04 **AI traffic flow detection and TOD adjustment**
• AIB-IMX8M
• EMS-TGL
- 05 **Smart waste management**
• VMS-APL
• ARC 10W00
- 06 **Communication system for emergency vehicles (V2X)**
• RISC SBC
- 07 **Parking entrance management with ANPR**
• EMS-TGL-PSE
• ARC-1535/ARC-1538
- 08 **Enforcement with edge computing**
• EMS-TGL-PSE
• VMS-ADPS



Raw Materials Management

- 09 **Fatigue system & fleet management**
• VMS-CFS-SLIM
• ARC-1200
- 10 **Precision agriculture**
• VMS-APL
• ARC 10W00

Public Transport

- 11 **School bus positioning & children location confirming**
• UWB Anchor
• UWB Tag
• VMS-APL
- 12 **Electrical autonomous bus**
• VMS-CFS-PSE
• OFM-15W00/21W00



Public Service

- 13 **Outdoor drive thru ordering system**
 - OFP-15W33
 - OFP-21W33
- 14 **Emergency traffic light influence system (DSRC)**
 - ARC series monitor
 - VMS-APL



Public Transport

- 15 **Smart public transit in bus**
 - VMS-APL + ARC 10W00
 - ARC-1238
 - OFT-07WR1
- 16 **Travel information display at stop**
 - EPD-42T
 - EPD-3133
- 17 **Wifi router & entertainment system**
 - VMS-ADPS
 - ARC series monitor
 - OFT-07WR1
- 18 **Smart public transit in rail**
 - VMS-EHLR
- 19 **Advertisement/ Travel information/ Bulletin**
 - EPD-42T
 - EPD-3133
- 20 **Bridge control system**
 - EMS-SKLU-Marine
 - EMS-TGL-Marine



Logistic

- 21 **Collision-avoidance system w/autonomous mobile robot**
 - VMS-CFS-PSE
 - VMS-ADPS
 - AIB-NW01
- 22 **Forklift & pallet maneuver**
 - ARC-1033
 - CAXA0
- 23 **Smart port management**
 - EPS-ADS + ARC 1500
 - ARC-1238/ARC-1538
 - CAXA0





Ensuring the safety and efficiency with autonomous garbage truck in the community

- OBC is equipped on a autonomous garbage truck to collect the on-board information, furthermore, to assist to complete the self-driving behavior in the community.



Preventing the possible danger occurred during the school bus trip.

- By using this solution to make sure children are in the school bus after leaving home and later, get off the school bus while arriving in school. Furthermore, to confirm the school bus is well arrived and punctually at school parking area as well.



ARTEMIS Solution
(Anchor+Tag/ Wristband) provides the real-time location information of children & school buses, while children get into bus and buses arrive in school parking lot.



Product Highlights




VMS-APL
Intel® Pentium®/ Celeron®/ Atom™ Processor Fanless Vehicle Telematics System



ARC-10W00
10.1" WXGA Rugged PCAP Multi-Touch Monitor



Vehicle Power Management



Ignition Control


Product Highlights



VMS-ADPS
12th/13th Intel® Core™ Processor i7/i5/i3 Rugged Fanless Vehicle Telematics System




ARC Series
Fanless Rugged Touch Panel PC with IET Expansion



RENTITY ARTEMIS



Vehicle Power Management



Ignition Control

Benefit & Advantage

- Driver can send the OBC's setting by themselves via vehicle power management AP in Win/ Android OS
- One cable solution for touch monitor through HDMI w/RS232 interface
- Easy installation with customized chassis attached on to vehicle.
- Communication with 4G/Wifi/GPS for fleet management.
- Multi-IO to connect with sensors for object/obstacle detection, RFID to container identification for billing.

Benefit & Advantage

- Fatigue system to make sure the driver is not falling asleep while driving.
- To ensure the school is on track via GPS, furthermore to send the school bus location to parents during the while trip.
- Children can stay at home until the school bus is approaching by APP to decrease the danger while waiting outside for bus.
- By Radar/ Lidar/ Sensor to detect the obstacle on the street and prevent from car accident. (V2I/V2P/V2V)
- OBU connecting with cameras for video surveillance, PA system, stop sign, TPMS module...etc.



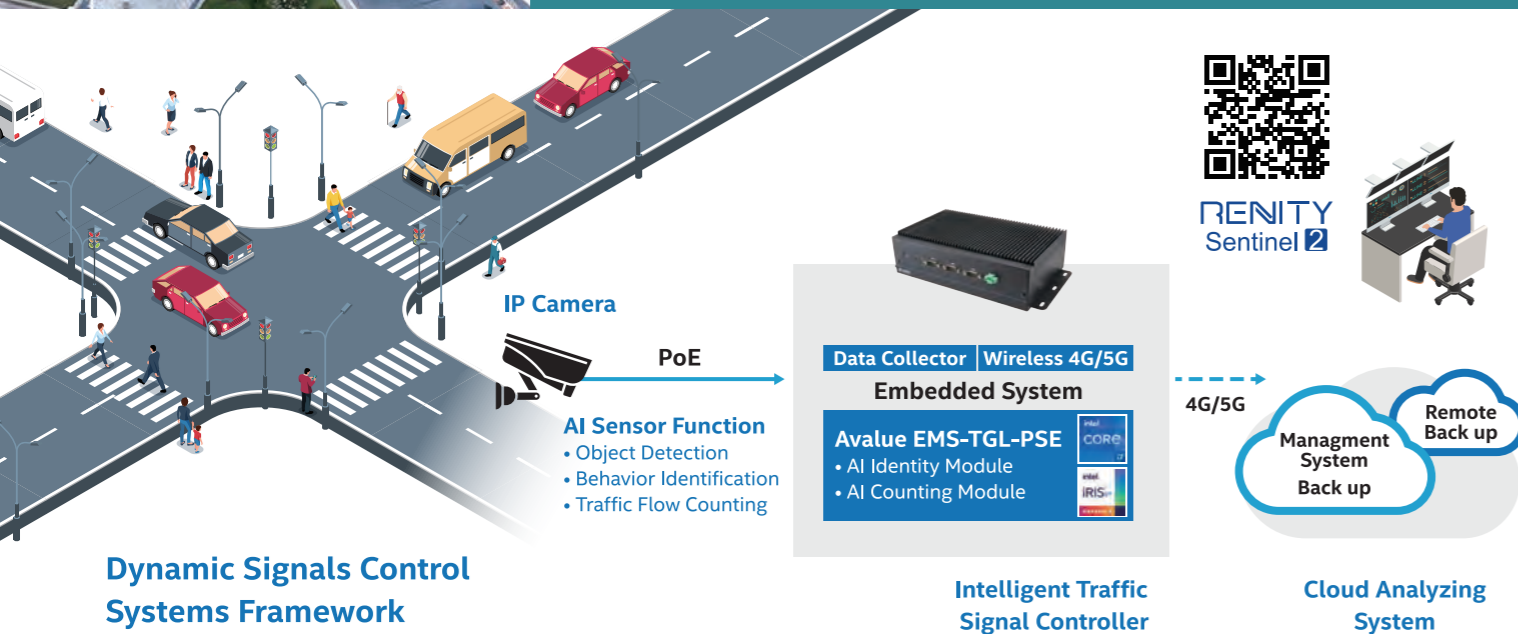
Resolving the traffic jam during the peak hour in the smart city, and providing with OOB solution for system maintenance.

- Using AI recognition technology and Big Data Analysis to generate Time-of-Day (TOD) and provide this generated TOD to Traffic Controller (local) in the roadside that can control the traffic light to dissipate traffic congestion.

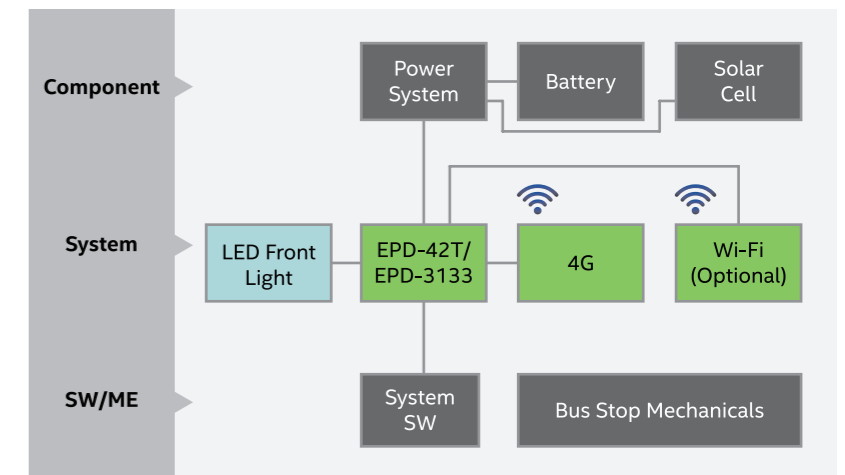


Improving the user experience for passenger, easy maintenance for system integrator and Eco-friendly to the world.

- Vehicle communicate with RSU (EPD) via 4G/5G and update the in-time travel information on EPD series, at the same time to satisfy the user experience for passenger, easy maintenance demand for system integrator and Eco-friendly to the world



Dynamic Signals Control Systems Framework



Software Highlights



Remote Control



Real-time Monitoring



Prevent Traffic Violation



Make efficient Law Enforcement



Reduce Traffic Congestion

Product Highlights



EPD-42T
Public Information Display (Digital Signage)



EPD-3133
Public Information Display (Digital Signage)



Sunlight Readable



Eco-friendly

Benefit & Advantage

- Reducing traffic accidents and congestion, and improve road safety and compliance with traffic.
- Reminding drivers to reduce speed when approaching the junction, reducing chances of traffic accidents, and keeping the records (hard brake, ideal, etc.) helps to identify patterns of driving behavior.
- RS2 remote monitoring and management software to enhance the performance of the systems and to adjust control functions in real-time, improving traffic flow and increasing convenience and safety.

Benefit & Advantage

- Sunlight readable, paper-like and eye-friendly digital signage solution
- E Ink bi-stable feature, no power needed to hold an image, which makes ultra low power consumption
- System is suitable to operate with solar cell and batteries, easy to complete infrastructure installation
- Green and eco-friendly solution with minimum total cost of ownership for outdoor signage display

Transportation System



VMS-APL
Intel® Pentium®/
Celeron®/ Atom™
Processor Fanless
Vehicle Telematics
System



VMS-ADPS
12th/13th Intel® Core™
Processor i7/i5/i3
Rugged Fanless Vehicle
Telematics System



VMS-CFS
8th/9th Intel® Core™
Processor i7/i5/i3
Rugged Fanless Vehicle
Telematics System



VMS-CFS-PSE
8th/9th Intel® Core™
Processor i7/i5/i3
Rugged Fanless Vehicle
Telematics
System w/RJ45 PoE



VMS-EHLR
Intel® Atom® x6425E
Processor Rugged
Fanless Railway System



EMS-TGL-Marine
11th Intel® Core™
Processor i7/i5/i3
Rugged Fanless Rugged
Marine System with 4
COM Isolations

AI System



EGS-MX1
Embedded GPU System
w/MXM Graphic Card



AIB-NW01
AI BOX PC System w/
NVIDIA Nano or NX
Carrier Board



AIB-IMX8M
NXP IMX8M Embedded
Computer AI BOX PC

Panel PC



ARC-1033
10.4" Intel® Apollo Lake
Fanless Rugged Touch
Panel PC with IET
Expansion



ARC 1238/ 1538
12.1"/15" 11th Gen.
Intel® Core™ Processor
i7/i5/i3 Fanless Rugged
Touch Panel PC with IET
Expansion



ARC-1235/ 1535
12.1"/15" Intel® Atom™ SoC
Processor
x6211E/x6413E/x6425E
Fanless Rugged Touch Panel
PC with IET Expansion



ARC-10W33
10.1" WXGA LCD with
P-cap Intel® Celeron®
N3350 Rugged Touch
Panel PC with IET
Expansion



OFP-15W33/ 21W33
15.6"/ 21.5" Full-HD
PCAP Multi-Touch Fanless
Open Frame Panel PC
with Intel® Celeron®
J3455 Processor



OFP-15W38/ 21W38
15.6"/ 21.5" Full-HD
15.6"/21.5" Full-HD PCAP
Multi-Touch Fanless Open
Frame Panel PC with Intel®
Core™ SoC i7/i5/i3 &
Celeron® BGA Processor

Industrial-grade Monitor



**ARC-10W00/
15W00/ 21W00**
Rugged PCAP
Multi-Touch Monitor



**ARC-1200/ 1500/
1700**
Rugged PCAP
Multi-Touch Monitor



OFP-15W00/ 21W00
15.6"/ 21.5" Full-HD
PCAP Multi-Touch
Fanless Open Frame
Monitor

E Ink



EPD-42T
Communication
Board



EPD-3133
Public Information
Display
(Digital Signage)



CAXA0
10.1" Semi-Rugged
Tablet with Intel®
Celeron® Processor
N3350

Ruggedized Tablet



Avalue Technology

7F, 228, Lian-cheng Road, Zhonghe Dist., New Taipei City 235, Taiwan
Tel: +886-2-8226-2345 Fax: +886-2-8226-2777
E-mail: sales@avalue.com Web: www.avalue.com



All specifications are subjects to change without notification.
All brand names and registered trademarks referred to in this catalog are the property of their respective companies.
Copyright © Avalue Technology Inc. 2024-2025

MPKT-20240308
2024 Ver.1.0